



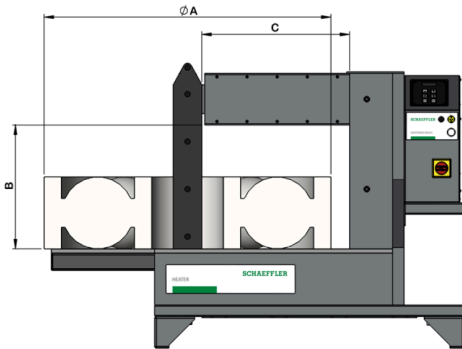
HEATER1600-BASIC-400V

Heating device, inductive

Schaeffler ID:
0966638710000

HEATER basic

Technical information



Technical data

U	400 V	Operating voltage
f	50 - 60 Hz	Frequency
P	40 kVA	Power consumption
I	100 A	Current rating
$\vartheta_{h \max}$	240 °C	Max. heating temperature
	0 - 99 min	Heating time
	Digital	Display
	1	Magnetic probe, quantity
$\approx m$	920 kg	Weight

Functions

+	Temperature hold
+	Automatic demagnetization, <math><2A/cm</math>
—	Swivel arm
—	Log function
—	Delta-T control
+	Temperature control
+	Time control
—	Temperature and time control
—	Temperature and speed control
+	Overheating protection
+	Automatic power reduction
+	Device supports horizontal / lying heating of the workpiece
—	Device supports vertical / hanging heating of the workpiece

Dimensions

	1,520 mm	Length HEATER
	750 mm	Width HEATER
	1,415 mm	Height HEATER
B	710 mm	Space between poles
C	780 mm	Pole length

Workpiece to be heated

	215 mm	Min. inner diameter workpiece, horizontal heating: with included yoke
	85 mm	Min. inner diameter workpiece, horizontal heating: with optional yoke
$\varnothing A_{\max}$	1,700 mm	Max. outer diameter workpiece
	700 mm	Max. workpiece width, horizontal heating
$m_{b \max}$	1,600 kg	Max. workpiece weight

Additional information

	1	Yokes included, quantity
	150x150	Yokes included, cross section (mm ²)